



M-Cab™ Speakers

MC-15

Two-Way Speaker

Congratulations!

You have just purchased one of the finest speakers on the market today. The M-Cab Series™ was developed using the expertise of professional sound engineers and working musicians. You will find your new NADY AUDIO speaker has superior performance and greater flexibility than any other speaker in its price range.

We recommend that you read this instruction sheet carefully to get the most out of your new unit. Thanks for selecting NADY AUDIO and the MC-15 as your choice in speakers.

Powerful 2-way speakers perfect for all small venue applications, the M-Cab Series™ deliver maximum versatility, state-of-the-art cabinet design, and premium performance and specs with ultra-clean transparent sound.

FEATURES AND SPECIFICATIONS

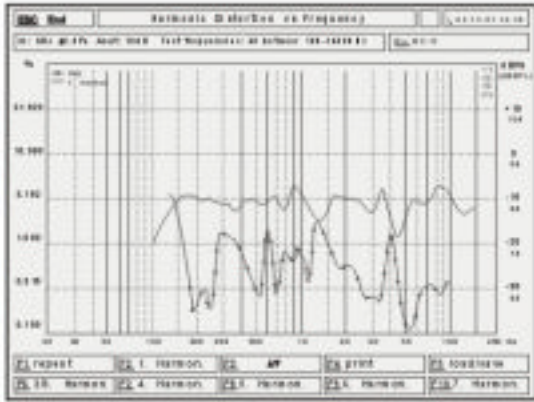
- Durable, yet lightweight, molded high-impact ABS/fiberglass composite enclosures, designed to deflect bumps and scrapes, are perfectly balanced for ease of portability and set-up and feature built-in handles for carrying.
- Ultimate flexible design enables either FOH main speaker or stage monitor use. Compact trapezoidal shape perfect for hanging in clusters (with dual built-in threaded brass inserts for eye bolts), single mounting on a speaker tripod stand (with built-in 35 mm. base mount insert) or mounted on side on the detachable speaker brace mounts provided (for use as dual-angle floor wedge monitors)
- 15"LF, 2.5" (6.3 cm) voice coil
- Low impedance compensated crossovers with full driver protection
- Wide-angle, short throw, high-frequency dispersion horns with 1.5" diameter precision titanium compression driver
- 90° X 50° (@1KHz) nominal dispersion
- High SPL output capability
- 50 Hz to 18 KHz linear response
- 600W peak program power rating (300W RMS)
- 98dB (1W@1M) sensitivity
- 2 Speakon™ connectors, 8Ω
- Lightweight: 50.6 lbs, (23 Kg)
- Compact sizing for ease of portability: 17.7" x 14.2" x 27.2" (450 X 360 X 690mm)
- Optional MCB-15 padded zippered vinyl carrying bag available

WARNINGS IMPORTANT SAFETY INSTRUCTIONS

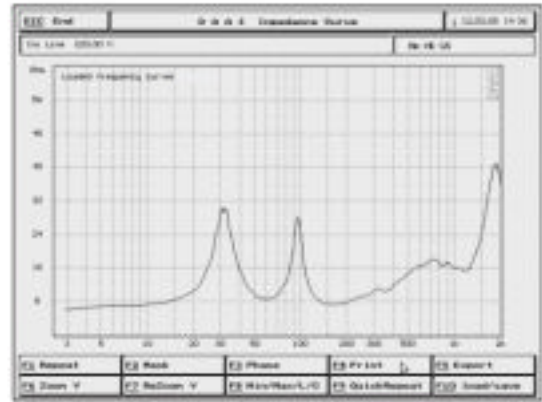
When using this speaker, basic precautions should always be taken, including the following:

- Read all instructions before using the product.
- This product may be capable of producing sound levels that could cause permanent hearing loss. Do not operate for a long period of time at a high volume level or at a level that is uncomfortable. If you experience any hearing loss or ringing in the ears, you should consult an audiologist.
- To avoid damage to the drivers, never overload the speaker.
- To avoid the risk of fire, do not ever expose the speaker to a source of naked flames. Also, it should be located away from heat sources such as radiators, heat vents, or other devices (including amplifiers) that produce heat.
- The product should be positioned so that proper ventilation is maintained.
- This speaker is designed for indoor use only. Do not expose to weather or high humidity, rain, etc.
- Care should be taken so that objects do not fall into, and liquids are not spilled through, the enclosure's openings. Do not place containers of liquids on the speaker.
- Don't place any heavy appliance or object (>130lbs/60kg) on the speaker enclosure.
- This unit is to be installed by qualified personnel only.
- This speaker is only to be used with power amplifiers complying with the safety requirement of EN or IEC60065.
- This product should be serviced by qualified service personnel if:
 - A. Objects have fallen into, or liquid has been spilled onto the product.
 - B. The product has been exposed to rain.
 - C. The product does not appear to operate normally or exhibits a marked change in performance.
 - D. The product has been dropped, or the enclosure damaged.
- Do not attempt to service this unit. All servicing should be referred to qualified service personnel.

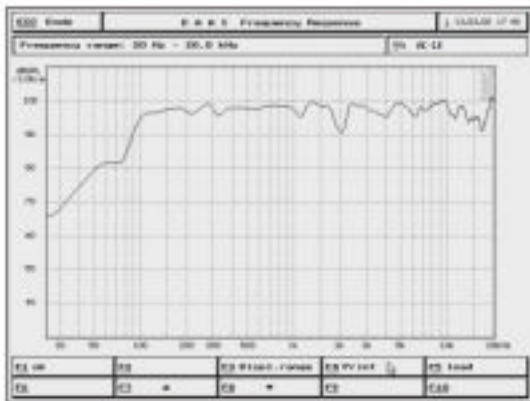
SPECIFICATIONS TECHNICAL DATA



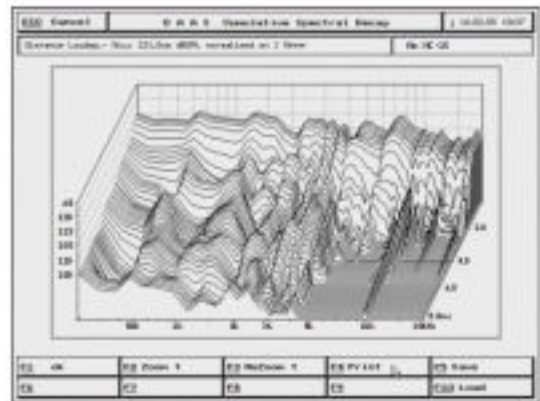
Harmonic distortion 106dB /2.5m, nominal impedance



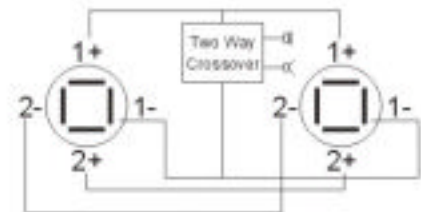
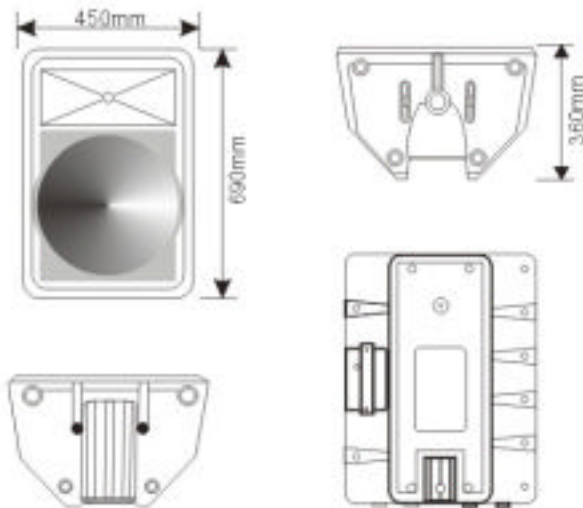
Impedance curve



Horizontal dispersion frequency response analysis



Waterfall spectrum analysis



Two Way Crossover

SERVICE FOR YOUR NADY AUDIO PRODUCT

(U.S.) Should your NADY AUDIO product require service, please contact the Nady Service Department via telephone at (510) 652-2411 or e-mail at service@nady.com.

(International) For service, please contact the NADY AUDIO distributor in your country through the dealer from whom you purchased this product.



NADY SYSTEMS, INC. • 6701 SHELLMOUND STREET, EMERYVILLE, CA 94608
Tel: 510.652.2411 • Fax: 510.652.5075 • www.nady.com